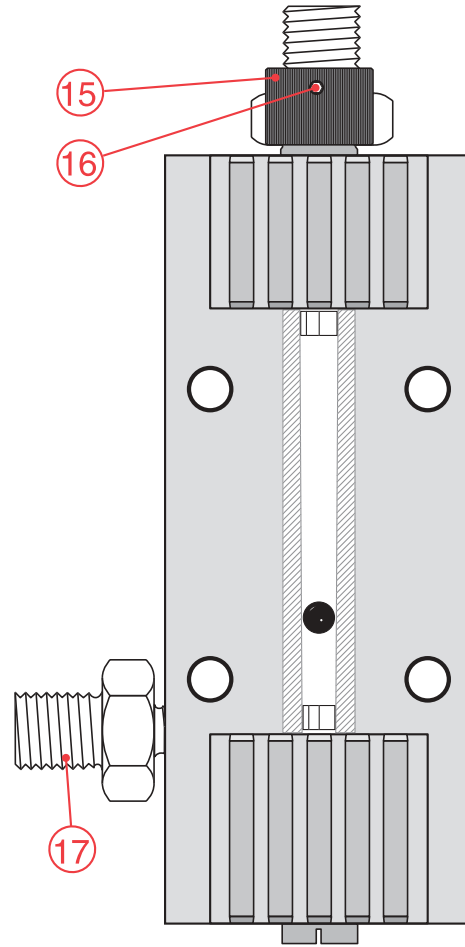
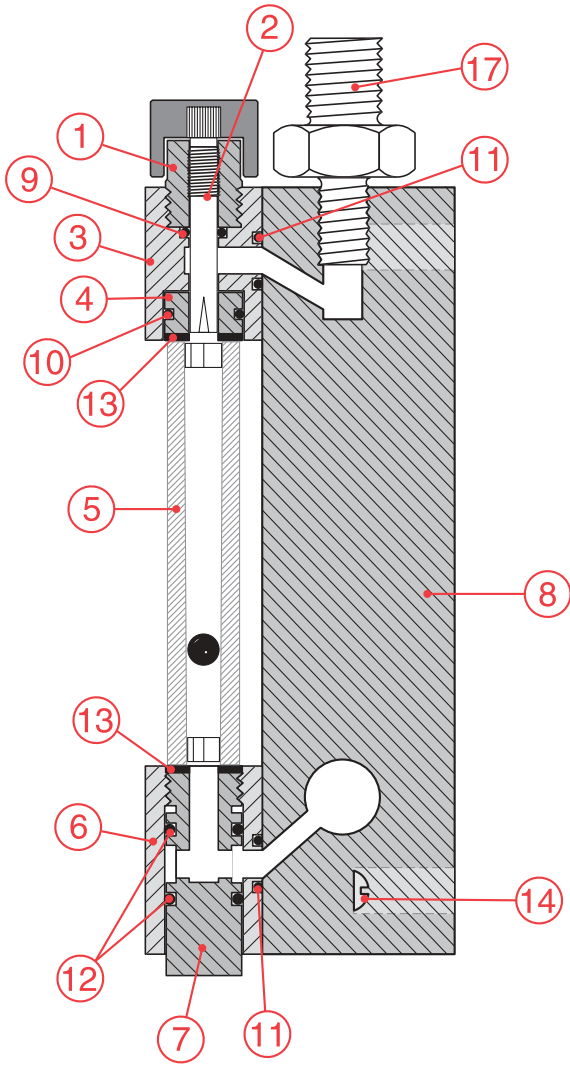



SIDE VIEW

FRONT VIEW



Item No.	Description	Quantity	Part No.
1	Valve Bonnet	1	VB-100C
2	Rate Valve	1	VP-103C
3	Top Meter Block	1	FM-100B
4	Rate Valve Seat	1	VT-104
5	Flow Meter	1	MT-B-11
6	Bottom Meter Block	1	FM-103
7	Inlet Plug	1	FM-101A
8	Back Body	1	RM-1 (100 PPD)
9	O-Ring	1	3PS-106
10	O-Ring	1	3RS-012
11	O-Ring	2	3PS-110
12	O-Ring	2	3PS-112
13	Meter Gasket	2	MG001-RM
14	Remote Meter Block Screws (stainless)	4	#10-24 x 1-1/4"
15	Rate Valve Knob	1	RV-100A
16	Rate Valve Knob Set Screw	1	#5-40 x 1/4"
17	Vacuum Tube Fitting	2	F104


 Date: Nov. 1999
 Scale: 83%
 Dwg. No. RM-401

100 PPD REMOTE METER