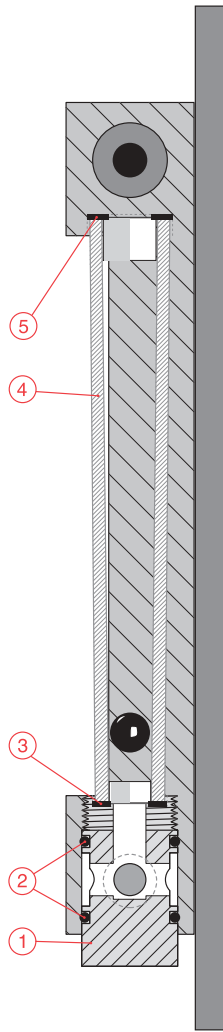
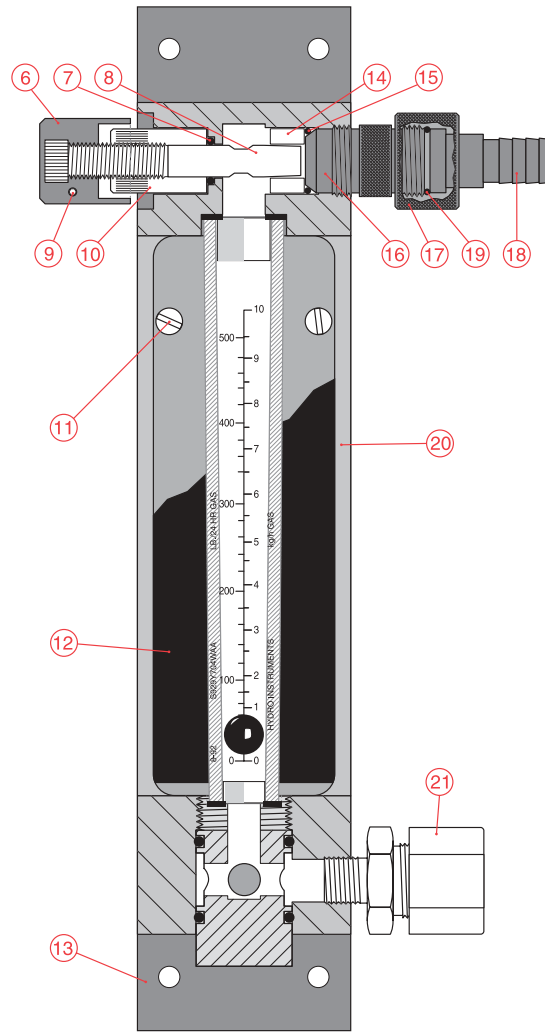


SIDE VIEW



FRONT VIEW



Item No.	Description	Quantity	Part No.
1	Inlet Plug	1	IP-498
2	O-Rings	2	3RS-212
3	Bottom Meter Gasket	1	G-162
4	Flow Meter Tube	1	MT-678
5	Top Meter Gasket	1	G-161
6	Rate Valve Knob	1	S-496
7	O-Ring	1	3RS-203
8	Rate Valve	1	SA-495
9	Rate Valve Knob Set Screw (stainless)	1	#6-32 x 5/16"
10	Rate Valve Bonnet	1	S-493
11	Remote Meter Block Screws (stainless)	4	#10-24 x 5/8"
12	Meter Shield	1	MS-700
13	Remote Meter Wall Mounting Panel	1	MP-500
14	Rate Valve Seat	1	S-497
15	O-Ring	1	3RS-114
16	Rate Valve Seat Retainer	1	S-494
17	Knurled Fitting (nut)	1	EJF-2
18	Gray Tubing Connector	1	EJF-3
19	O-Ring	1	3RS-114
20	Meter Body	1	TFM-500
21	5/8" Tubing x 3/8" NPT Tube Connector	1	10-10-6

**hydro**  
INSTRUMENTS™  
**500 PPD REMOTE METER**

Date: Sept. 1999  
Scale: 46%  
Dwg. No. RM-701